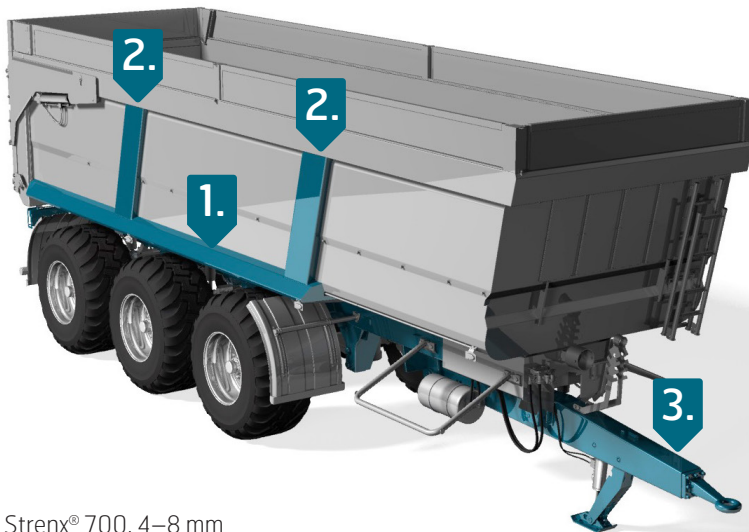


AGRICULTURE TRAILERS

Strenx® performance steel makes the ideal choice for trailer flooring and siding. Our customers also use it successfully in components like rear underrun protection devices (RUPDs), kingpin assemblies, drawbar couplings, and timber trailer stakes and bunks.

When you use Strenx® performance steel for trailer chassis, you not only get clean, high-quality steel with consistent, guaranteed properties. Trailer components made of Strenx® in thinner dimensions, compared to those made in conventional steel, become both stronger and lighter. This way, your vehicles can take higher payloads in fewer trips. When the vehicle is no load, there is less overall weight. So why not significantly reduce the weight of your trailer, and at the same time, increase payload, save on fuel costs, lower your carbon footprint, and improve your bottom line? Strenx® steel is a great way to lighten the load. You can also use Hardox® wear plate to fight abrasion in other trailer components.



1. Strenx® 700, 4–8 mm
2. Strenx® 700 Tubes, 4–8 mm
3. Strenx® 700, 4–8 mm